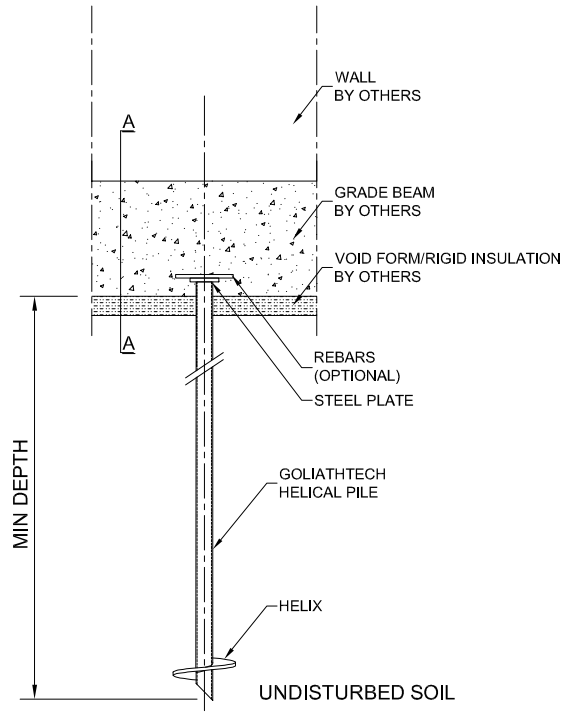
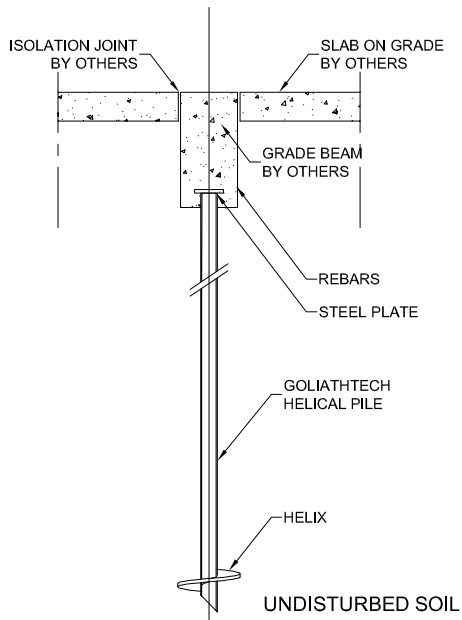


**SECTION A-A**



**GRADE BEAM**



**INSIDE GRADE BEAM**

REFER TO GENERAL NOTES STD-GN-001

DATE: 2017/01	CONCRETE APPLICATIONS GRADE BEAMS		STD-CO-001
REV.: 00			